

**INSTRUCTIONS FOR A RESET COUNTER KIT (220-4556) OR A NON-RESET COUNTER
KIT (220-4555) IN A NATIONAL VENDORS® ALL COIN MANUAL RECORDER (ACMR)
EQUIPPED CROWN LINE®, SERIES 800/CABARET 800 MANUAL CIGARETTE MERCHANDISER**

Before starting the work of installing the parts of either the Reset or Non-Reset Counter Kit covered in these instructions, carefully and thoroughly read the instructions. Save the instructions for future part number reference. Although the two Kits contain different parts, the general installation procedures for both Kits are the same.

The Reset Counter Kit, part number 220-4556, consists of the following parts:

Part Number	Description	Quantity
220-4553	Reset Counter And Bracket Assembly	1
9900-046	Attaching Part Screw, #8-32 x 1/4", RH Slot, Self Tap * * *	2
110-4210	End Arm Extension Attaching Part	1
9900-090	Screw/Lockwasher, #6-32 x 3/16", RH Slot * * *	2
220-4552	Counter Rod Assembly	1
220-4557	Installation Instructions	1
	* * *	

The Non-Reset Counter Kit, part number 220-4555, consists of the following parts:

Part Number	Description	Quantity
220-4550	Non-Reset Counter And Bracket Assembly	1
9900-046	Attaching Part Screw, #8-32 x 1/4", RH Slot, Self Tap * * *	2
110-4210	End Arm Extension Attaching Part	1
9900-090	Screw/Lockwasher, #6-32 x 3/16", RH Slot * * *	2
220-4552	Counter Rod Assembly	1
220-4557	Installation Instructions	1
	* * *	

TO INSTALL THE RESET OR NON-RESET COUNTER KIT PARTS:

1. Remove or open the Cabinet Door. Set the Door Holder Leg on the Hinged Door equipped Merchandiser.
2. Expose the Delivery Mechanism Right Sidewall.
3. Place the Counter And Bracket Assembly on the Merchandiser Right Sidewall. See Figure 1.
4. Align the 2 holes in the Counter And Bracket Assembly with the 2 holes in the Right Sidewall and attach the Assembly with the two #8-32 x 1/4" RH Slotted Self Tapping Screws included in the Kit.

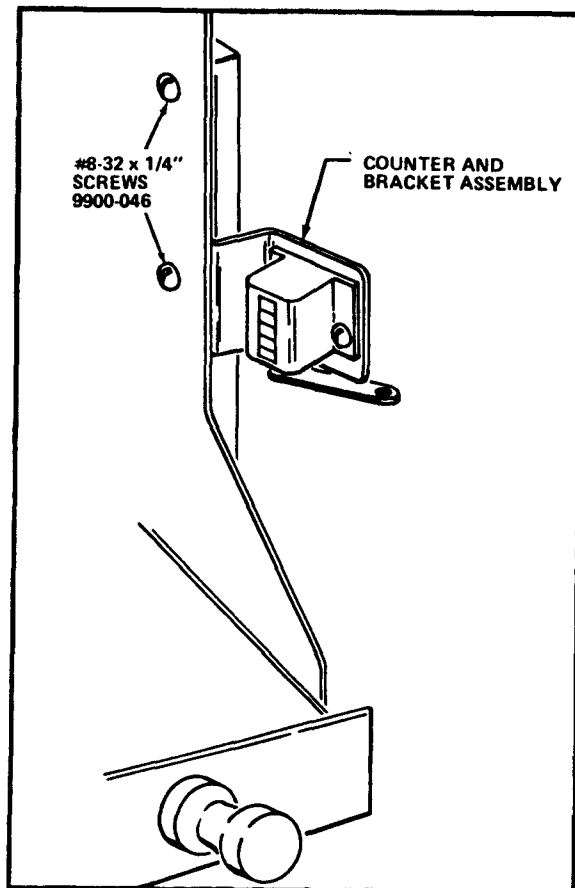


Figure 1

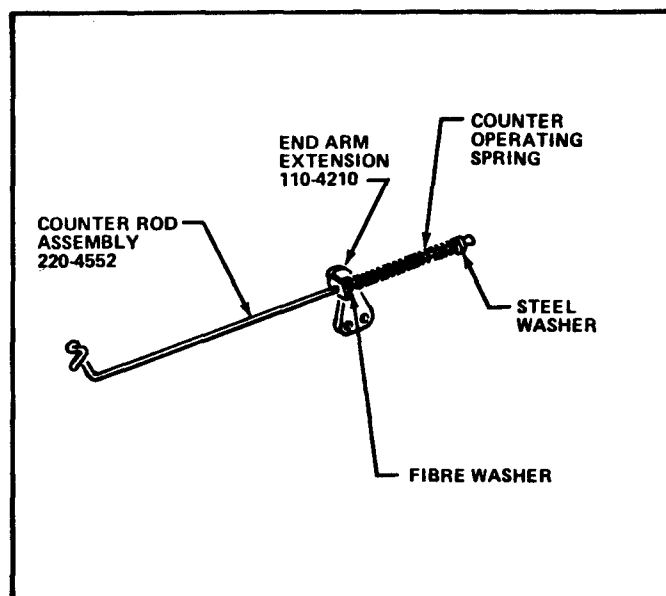


Figure 2

5. Insert the Counter Rod Assembly, part number 220-4552, through the hole in the End Arm Extension, part number 110-4210. See Figure 2.
6. Hook the end of the Counter Rod Assembly into the hole in the Counter Arm. See Figure 3.

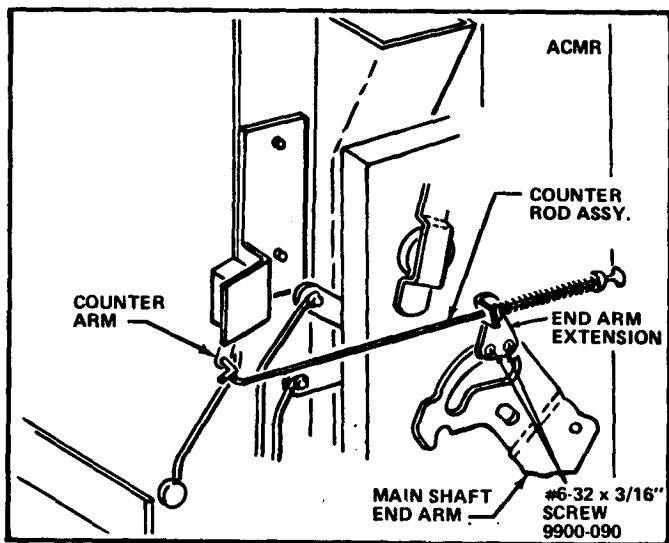


Figure 3

7. Attach the End Arm Extension to the Main Shaft End Arm with the two #6-32 x 3/16" Round Head Slotted Screws with Lockwasher, part number 9900-090, included in the Kit. See Figure 3.
8. Remove the Price Setting Disc Assembly from the ACMR to allow the Merchandiser to free-vend.
9. Slowly actuate the Mechanism. Observe the Counter. The Arm should make a complete stroke from the at-rest stop to the other stop and back. The Counter should properly register the vend.
10. If the Counter Arm does not make a complete stroke on the vend, loosen the Counter Arm Set Screw, adjust the position of the Arm, and tighten the Set Screw. After making the arm position adjustment, actuate the Mechanism again to determine if the Arm is properly adjusted.
11. When the Arm adjustment is correct, replace the Price Setting Disc Assembly.
12. Record the number on the Counter Dial.
13. Close the Cabinet Door and make a purchase from the Merchandiser.
14. Check the Counter, if the Counter has not properly recorded the vend, recheck the Counter Arm for proper position and action, per steps 8 through 14.
15. When the operation of the Merchandiser and the Counter is satisfactory, close the Cabinet Door, the Merchandiser is ready for vending.

**INSTRUCTIONS FOR A RESET COUNTER KIT (220-4556) OR A NON-RESET COUNTER
KIT (220-4555) IN A NATIONAL VENDORS® ALL COIN MANUAL RECORDER (ACMR)
EQUIPPED CROWN LINE®, SERIES 800/CABARET 800 MANUAL CIGARETTE MERCHANDISER**

Before starting the work of installing the parts of either the Reset or Non-Reset Counter Kit covered in these instructions, carefully and thoroughly read the instructions. Save the instructions for future part number reference. Although the two Kits contain different parts, the general installation procedures for both Kits are the same.

The Reset Counter Kit, part number 220-4556, consists of the following parts:

Part Number	Description	Quantity
220-4553	Reset Counter And Bracket Assembly	1
9900-046	Attaching Part Screw, #8-32 x 1/4", RH Slot, Self Tap * * *	2
110-4210	End Arm Extension Attaching Part	1
9900-090	Screw/Lockwasher, #6-32 x 3/16", RH Slot * * *	2
220-4552	Counter Rod Assembly	1
220-4557	Installation Instructions * * *	1

The Non-Reset Counter Kit, part number 220-4555, consists of the following parts:

Part Number	Description	Quantity
220-4550	Non-Reset Counter And Bracket Assembly	1

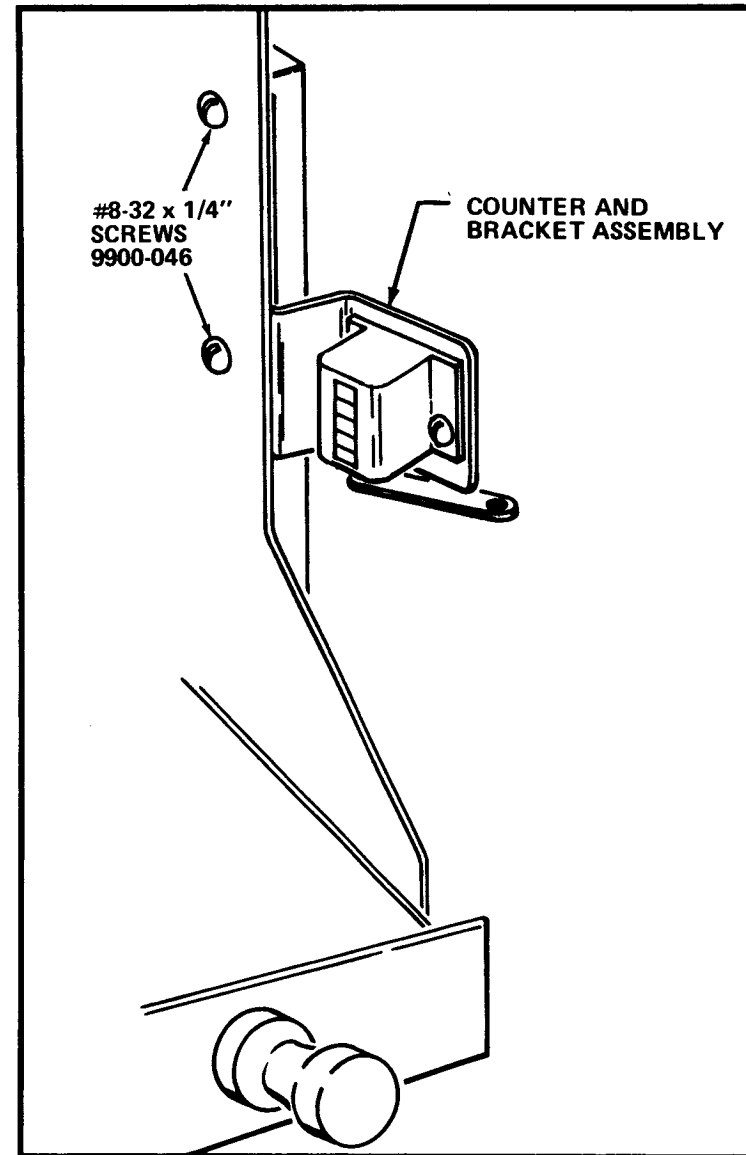


Figure 1

The Non-Reset Counter Kit, part number 220-4555, consists of the following parts:

Part Number	Description	Quantity
220-4550	Non-Reset Counter And Bracket Assembly	1
9900-046	Screw, #8-32 x 1/4", RH Slot, Self Tap	2
	* * *	
110-4210	End Arm Extension Attaching Part	1
9900-090	Screw/Lockwasher, #6-32 x 3/16", RH Slot	2
	* * *	
220-4552	Counter Rod Assembly	1
220-4557	Installation Instructions	1
	* * *	

TO INSTALL THE RESET OR NON-RESET COUNTER KIT PARTS:

1. Remove or open the Cabinet Door. Set the Door Holder Leg on the Hinged Door equipped Merchandiser.
2. Expose the Delivery Mechanism Right Sidewall.
3. Place the Counter And Bracket Assembly on the Merchandiser Right Sidewall. See Figure 1.
4. Align the 2 holes in the Counter And Bracket Assembly with the 2 holes in the Right Sidewall and attach the Assembly with the two #8-32 x 1/4" RH Slotted Self Tapping Screws included in the Kit.

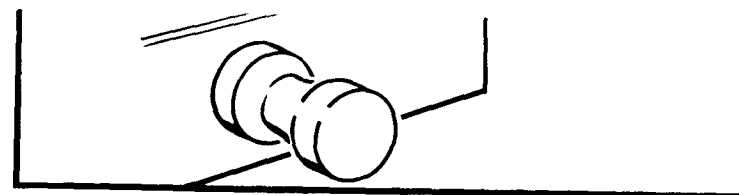


Figure 1

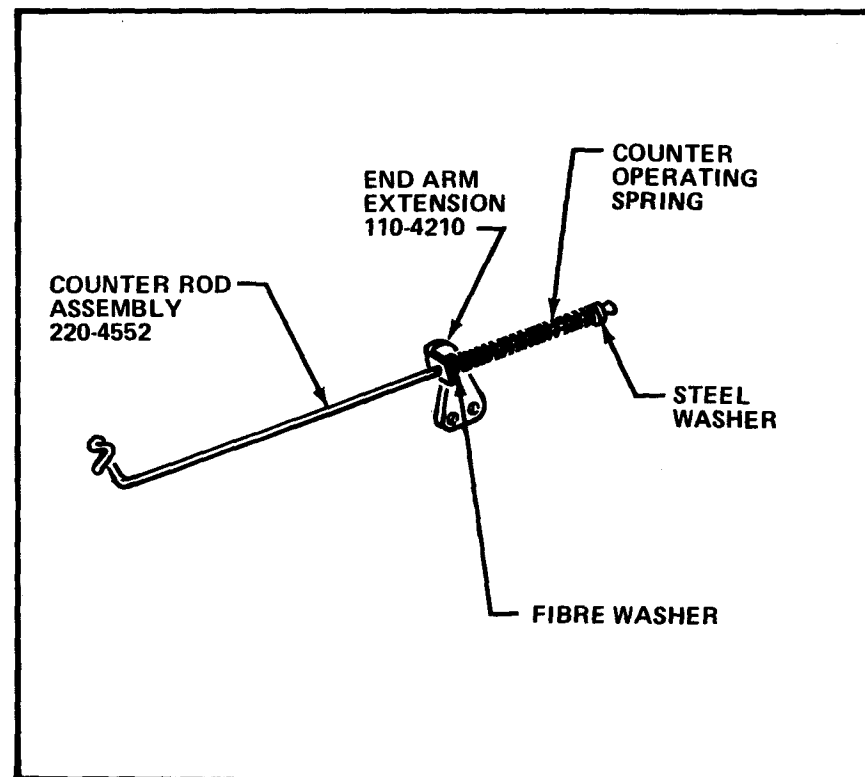


Figure 2

5. Insert the Counter Rod Assembly, part number 220-4552, through the hole in the End Arm Extension, part number 110-4210. See Figure 2.
6. Hook the end of the Counter Rod Assembly into the hole in the Counter Arm. See Figure 3.

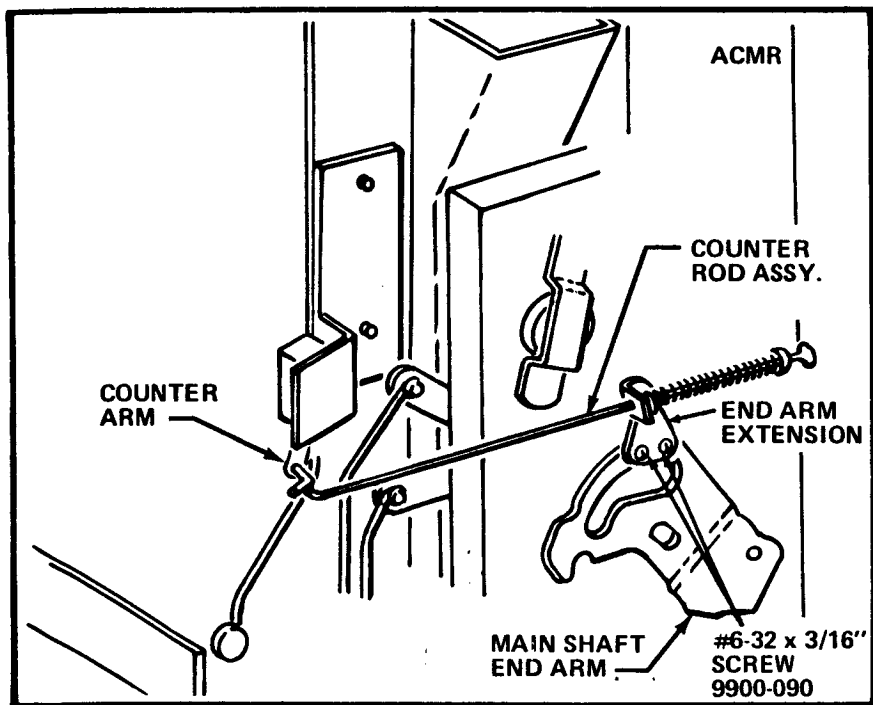


Figure 3

7. Attach the End Arm Extension to the Main Shaft End Arm with the two #6-32 x 3/16" Round Head Slotted Screws with Lockwasher, part number 9900-090, included in the Kit. See Figure 3.
8. Remove the Price Setting Disc Assembly from the ACMR to allow the Merchandiser to free-vend.
9. Slowly actuate the Mechanism. Observe the Counter. The Arm should make a complete stroke from the at-rest stop to the other stop and back. The Counter should properly register the vend.
10. If the Counter Arm does not make a complete stroke on the vend, loosen the Counter Arm Set Screw, adjust the position of the Arm, and tighten the Set Screw. After making the arm position adjustment, actuate the Mechanism again to determine if the Arm is properly adjusted.
11. When the Arm adjustment is correct, replace the Price Setting Disc Assembly.
12. Record the number on the Counter Dial.
13. Close the Cabinet Door and make a purchase from the Merchandiser.
14. Check the Counter, if the Counter has not properly recorded the vend, recheck the Counter Arm for proper position and action, per steps 8 through 14.
15. When the operation of the Merchandiser and the Counter is satisfactory, close the Cabinet Door, the Merchandiser is ready for vending.

**INSTRUCTIONS FOR A RESET COUNTER KIT (220-4556) OR A NON-RESET COUNTER
KIT (220-4555) IN A NATIONAL VENDORS® ALL COIN MANUAL RECORDER (ACMR)
EQUIPPED CROWN LINE®, SERIES 800/CABARET 800 MANUAL CIGARETTE MERCHANDISER**

Before starting the work of installing the parts of either the Reset or Non-Reset Counter Kit covered in these instructions, carefully and thoroughly read the instructions. Save the instructions for future part number reference. Although the two Kits contain different parts, the general installation procedures for both Kits are the same.

The Reset Counter Kit, part number 220-4556, consists of the following parts:

Part Number	Description	Quantity
220-4553	Reset Counter And Bracket Assembly	1
9900-046	Attaching Part Screw, #8-32 x 1/4", RH Slot, Self Tap * * *	2
110-4210	End Arm Extension Attaching Part	1
9900-090	Screw/Lockwasher, #6-32 x 3/16", RH Slot * * *	2
220-4552	Counter Rod Assembly	1
220-4557	Installation Instructions * * *	1

The Non-Reset Counter Kit, part number 220-4555, consists of the following parts:

Part Number	Description	Quantity
220-4550	Non-Reset Counter And Bracket Assembly	1
9900-046	Attaching Part Screw, #8-32 x 1/4", RH Slot, Self Tap * * *	2
110-4210	End Arm Extension Attaching Part	1
9900-090	Screw/Lockwasher, #6-32 x 3/16", RH Slot * * *	2
220-4552	Counter Rod Assembly	1
220-4557	Installation Instructions * * *	1

TO INSTALL THE RESET OR NON-RESET COUNTER KIT PARTS:

1. Remove or open the Cabinet Door. Set the Door Holder Leg on the Hinged Door equipped Merchandiser.
2. Expose the Delivery Mechanism Right Sidewall.
3. Place the Counter And Bracket Assembly on the Merchandiser Right Sidewall. See Figure 1.
4. Align the 2 holes in the Counter And Bracket Assembly with the 2 holes in the Right Sidewall and attach the Assembly with the two #8-32 x 1/4" RH Slotted Self Tapping Screws included in the Kit.

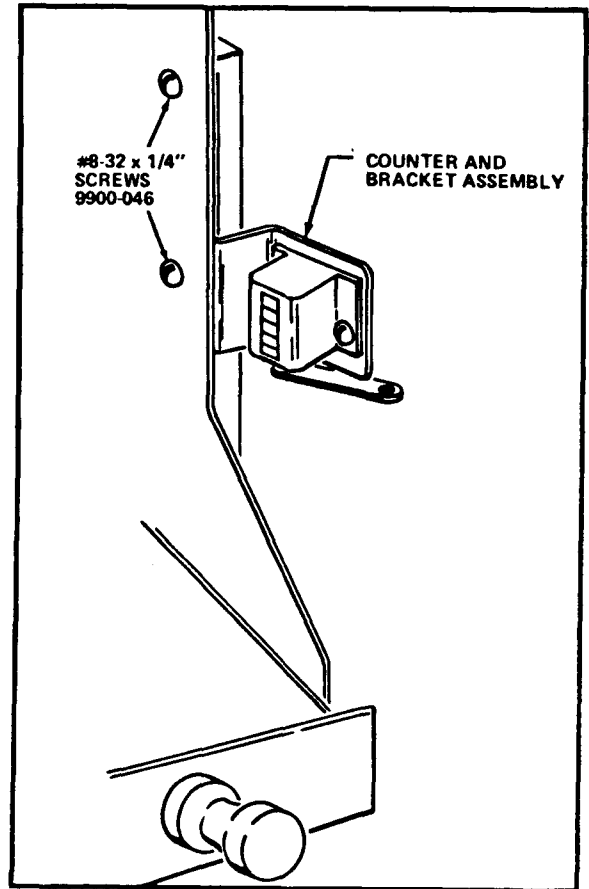


Figure 1

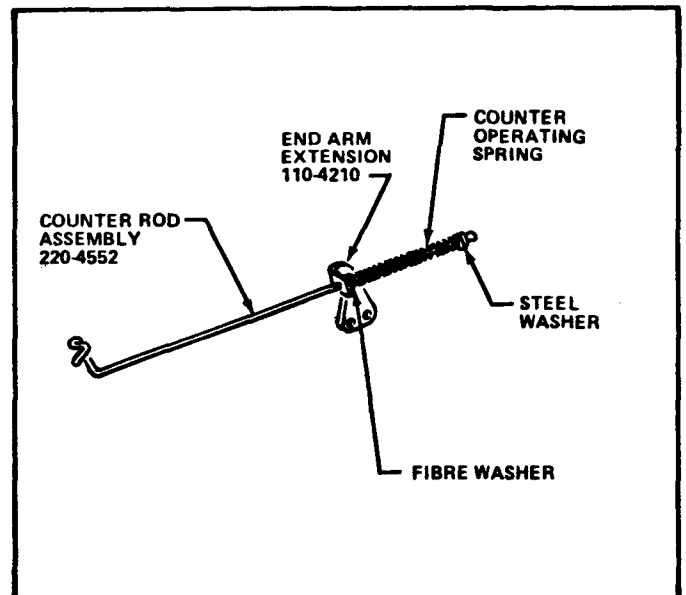


Figure 2

5. Insert the Counter Rod Assembly, part number 220-4552, through the hole in the End Arm Extension, part number 110-4210. See Figure 2.
6. Hook the end of the Counter Rod Assembly into the hole in the Counter Arm. See Figure 3.

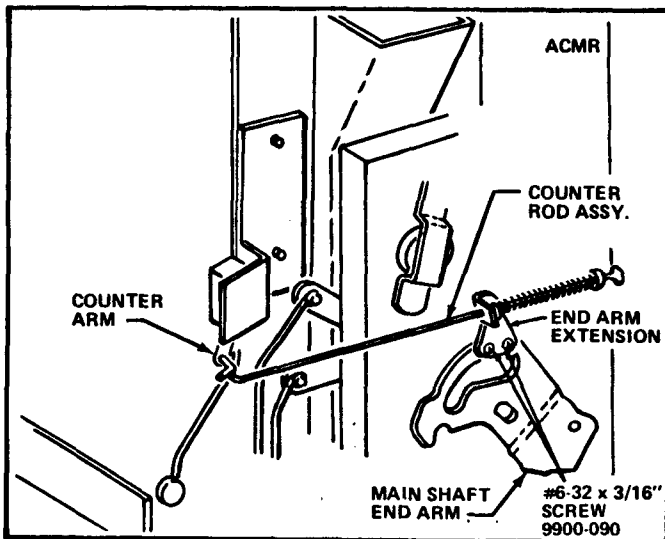


Figure 3

7. Attach the End Arm Extension to the Main Shaft End Arm with the two #6-32 x 3/16" Round Head Slotted Screws with Lockwasher, part number 9900-090, included in the Kit. See Figure 3.
8. Remove the Price Setting Disc Assembly from the ACMR to allow the Merchandiser to free-vend.
9. Slowly actuate the Mechanism. Observe the Counter. The Arm should make a complete stroke from the at-rest stop to the other stop and back. The Counter should properly register the vend.
10. If the Counter Arm does not make a complete stroke on the vend, loosen the Counter Arm Set Screw, adjust the position of the Arm, and tighten the Set Screw. After making the arm position adjustment, actuate the Mechanism again to determine if the Arm is properly adjusted.
11. When the Arm adjustment is correct, replace the Price Setting Disc Assembly.
12. Record the number on the Counter Dial.
13. Close the Cabinet Door and make a purchase from the Merchandiser.
14. Check the Counter, if the Counter has not properly recorded the vend, recheck the Counter Arm for proper position and action, per steps 8 through 14.
15. When the operation of the Merchandiser and the Counter is satisfactory, close the Cabinet Door, the Merchandiser is ready for vending.

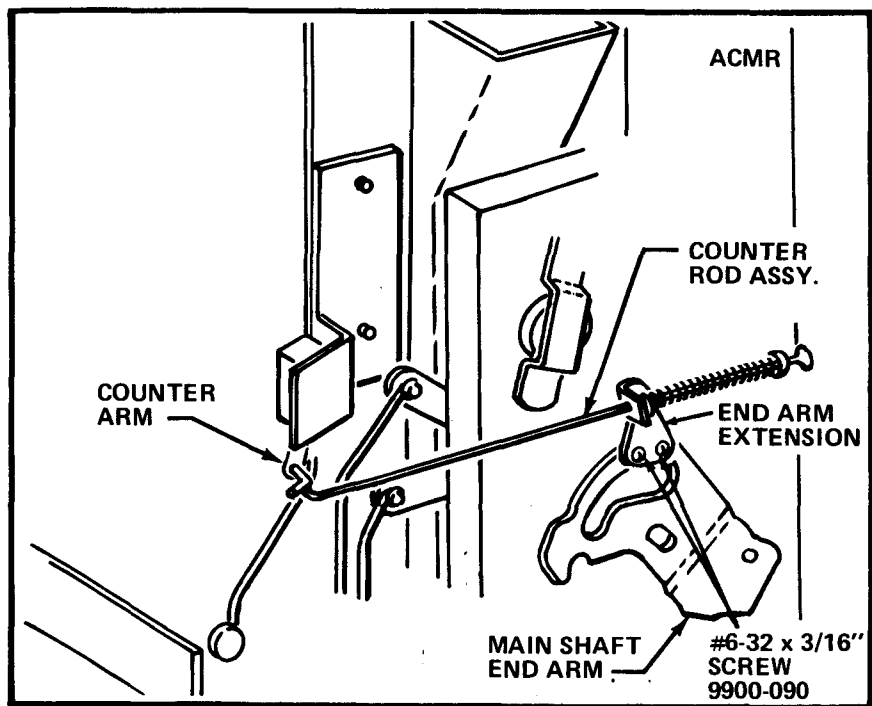


Figure 3

7. Attach the End Arm Extension to the Main Shaft End Arm with the two #6-32 x 3/16" Round Head Slotted Screws with Lockwasher, part number 9900-090, included in the Kit. See Figure 3.
8. Remove the Price Setting Disc Assembly from the ACMR to allow the Merchandiser to free-vend.
9. Slowly actuate the Mechanism. Observe the Counter. The Arm should make a complete stroke from the at-rest stop to the other stop and back. The Counter should properly register the vend.
10. If the Counter Arm does not make a complete stroke on the vend, loosen the Counter Arm Set Screw, adjust the position of the Arm, and tighten the Set Screw. After making the arm position adjustment, actuate the Mechanism again to determine if the Arm is properly adjusted.
11. When the Arm adjustment is correct, replace the Price Setting Disc Assembly.
12. Record the number on the Counter Dial.
13. Close the Cabinet Door and make a purchase from the Merchandiser.
14. Check the Counter, if the Counter has not properly recorded the vend, recheck the Counter Arm for proper position and action, per steps 8 through 14.
15. When the operation of the Merchandiser and the Counter is satisfactory, close the Cabinet Door, the Merchandiser is ready for vending.